

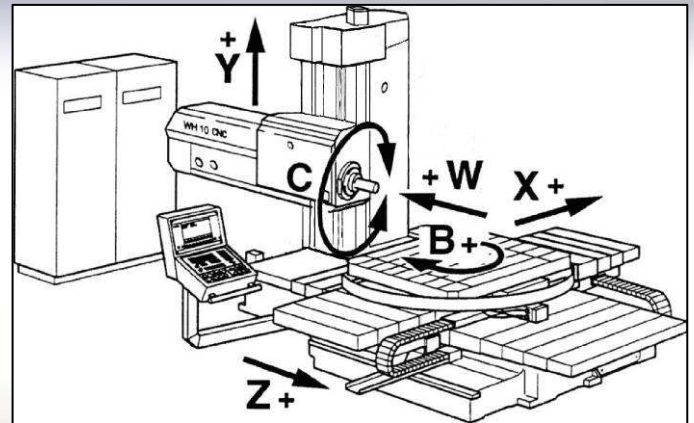
WH 10 CNC

www.tosvarnsdorf.eu

September 2011

New goals need new solutions

HORIZONTAL BORING MILL WH 10 CNC



**Cost-effective solution
of machine**



**X = 1,250 mm
Y = 1,100 mm
Z = 940 mm
W = 630 mm**

The WH 10 CNC table type, live spindle, fixed column horizontal boring mill is the representative of the original line of the horizontal borers of TOS VARNSDORF.

The machine including its standard equipment and peripherals etc., is intended for broadly universal chip removal machining of non-rotational parts of smaller size and weight, particularly of cast iron, cast steel and steel.

Items of special and/or peripheral equipment are optionally available to broaden operational capacity of the machine or to aid to its smooth operation.

TOS VARNSDORF a.s.

WH 10 CNC

BASIC TECHNICAL DATA

Spindle diameter	mm	100
Spindle taper		ISO 50
Spindle speed range	R.P.M.	10 – 2,500
Main motor power (S1 / S6-60)	kW	20 / 25
Max. torque (S1 / S6-60)	Nm	1,640 / 2,050
Table transverse travel X	mm	1,250
Headstock vertical travel Y	mm	1,100
Table longitudinal travel Z	mm	940
Spindle stroke W	mm	700
Table clamping surface	mm	1,000 x 1,120
Workpiece weight max.	kg	3,000
Feed range	mm.min ⁻¹	4 – 4,000
Rapid traverse X, Y, Z, W	mm.min ⁻¹	8,000
Rapid traverse B	1/min	2

TECHNOLOGICAL EXAMPLES:



THE MACHINE FRAME

The main machine frame components including the traveling ones are made of optimally dimensioned castings of gray iron.

GUIDEWAYS

The main guideways are reinforced with hardened steel plates.

HEADSTOCK

It contains all the spindle bearings and the spindle driving mechanism as well as the ones for the longitudinal travel of the live spindle.

OPERATIONS OF THE MACHINE

The machine is controlled by a sophisticated CNC control the features and peripherals of which are relevant to the applied type.

FURTHER INFORMATION
YOU CAN FIND ON OUR
WEB SITES

www.tosvarnsdorf.eu



www.tosvarnsdorf.eu